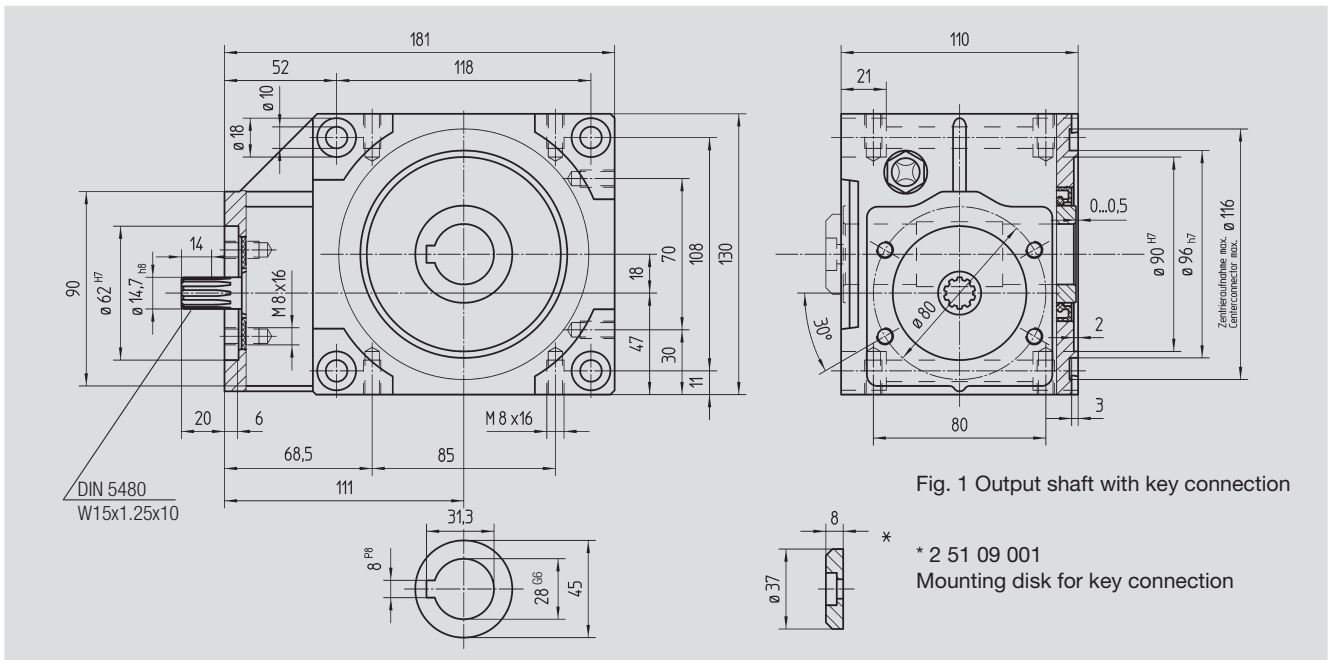




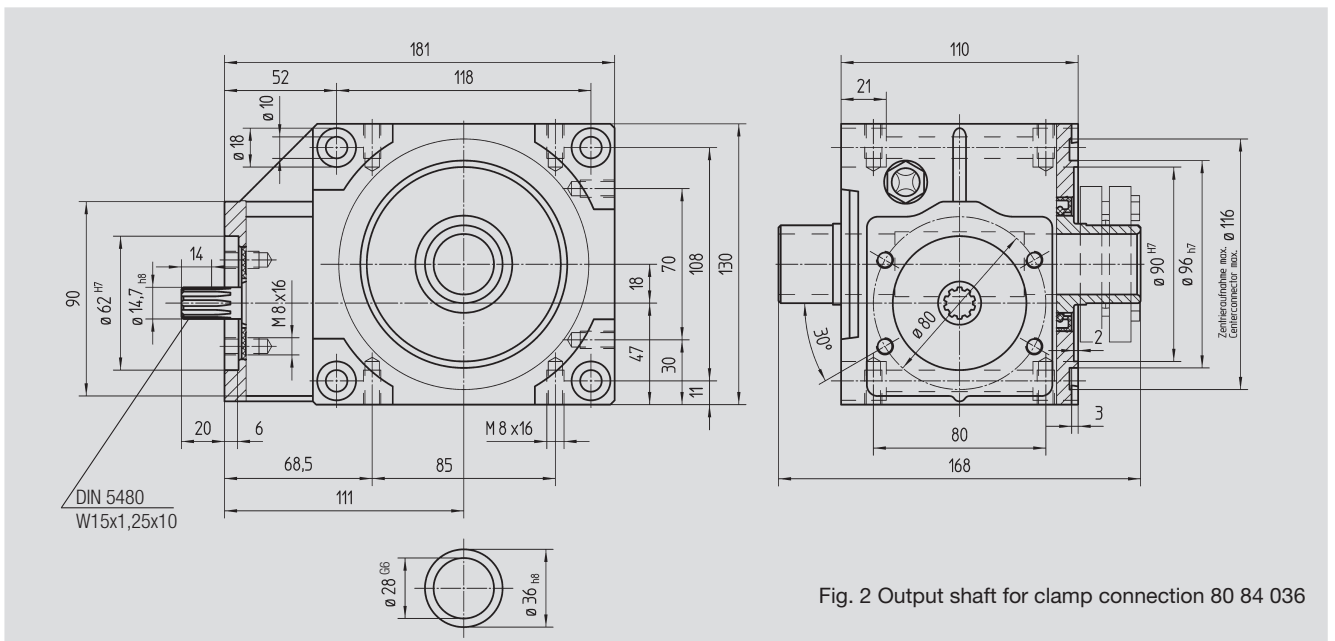
Key Connection Size

BG 50 5 Mounting Surfaces



Shrink-Disk Connection Size

BG 50 5 Mounting Surfaces



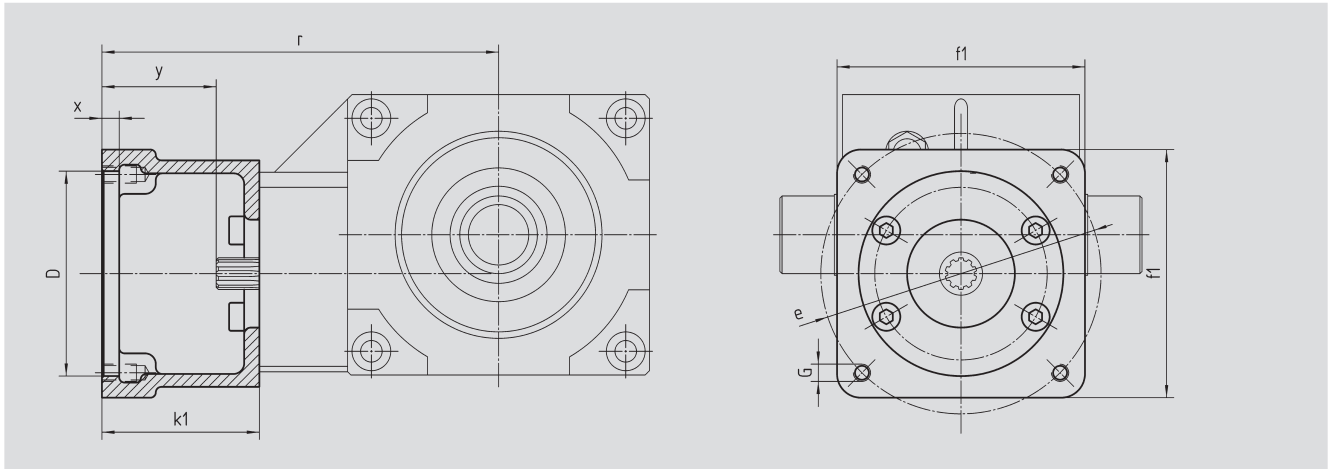
Order Code	Order Code	Ratio i	$\frac{T}{kg}$	$J_{red} 10^{-4}$ kg m ²
Key Connection	Shrink-Disk Connection			
51 03 005	51 13 005	4.75	6.4	0.820
51 03 007	51 13 007	6.75	6.4	0.551
51 03 009	51 13 009	9.25	6.4	0.406

* Necessary for mounting of ATLANTA Pinion 20 2x 4xx or Output drive shaft 65 04 xxx.




Motor Flange Size

BG 50



<6 arcmin

Size 50 mm

Order Code	D ^{G7}	k ₁	r	x	y	f ₁	e	G	 kg
65 59 301	95.0	62	173	6	42	100	115	M8	1.0
65 59 302	50.0	62	173	6	42	100	95	M6	1.0
65 59 303	80.0	62	173	6	42	100	100	M6	1.0
65 59 304	95.0	78	189	6	58	115	130	M8	1.0
65 59 305	95.0	72	183	5	52	105	115	M8	1.0
65 59 306	60.0	74	184	7	54	100	75, 90	M5	1.0
65 59 307	70.0	70	181	7	50	100	90	M6	1.0
65 59 401	95.0	73	184	7	53	100	115	M8	1.0
65 59 402	110.0	78	189	7	58	115	130	M8	1.0
65 59 403	95.0	73	184	7	53	115	130	M8	1.0
65 59 404	110.0	73	184	7	53	115	130	M8	1.0
65 59 405	95.0	78	189	7	58	140	165	M10	1.0
65 59 406	110.0	78	189	7	58	140	165	M10	1.0
65 59 407	130.0	78	189	7	58	140	165	M10	1.0
65 59 409	130.0	98	209	7	78	140	165	M10	1.5
65 59 410	110.0	74	185	7	54	120	145	M8	1.0
65 59 411	110.0	84	195	7	64	120	145	M8	1.5
65 59 412	114.3	105	216	7	85	180	200	M12	3.5
65 59 413	114.3	139	150	7	119	180	200	M12	6.0
65 59 414	114.3	91	202	7	71	180	200	M12	2.5
65 59 415	110.0	89	200	7	69	120	145	M8	1.5

The order should contain gear box 51 03 0xx / 51 13 0xx and flange 65 59 3xx or 4xx.