



ATLANTA

HP High-Performance Gear Units with <2' Adjustable Backlash

Center Distance

$a_o = 100 \text{ mm}$

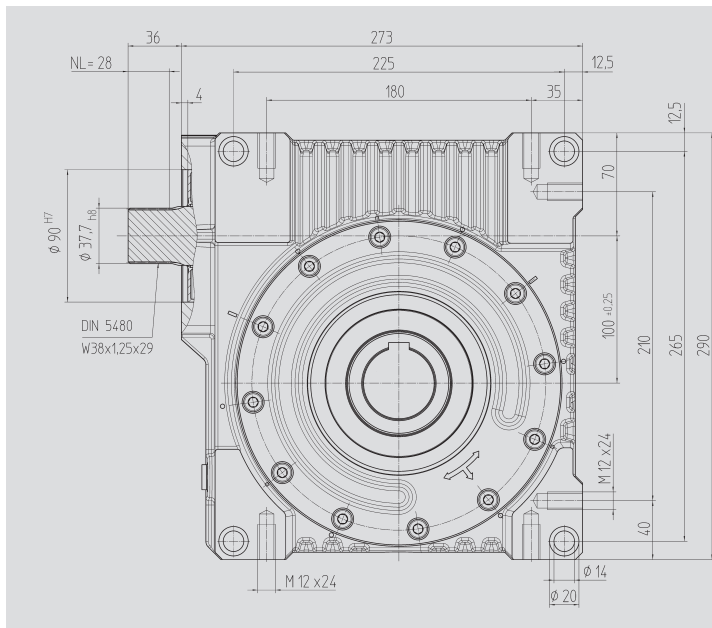


Fig. 1 Output shaft with key connection

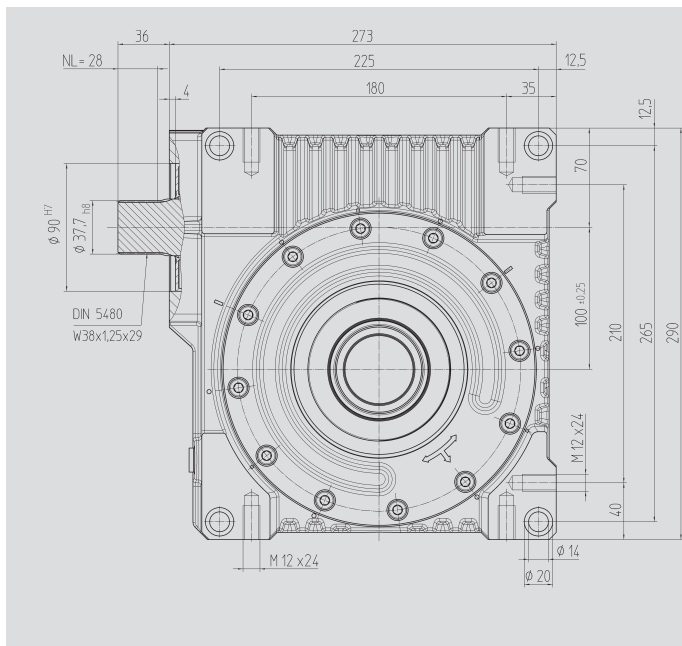
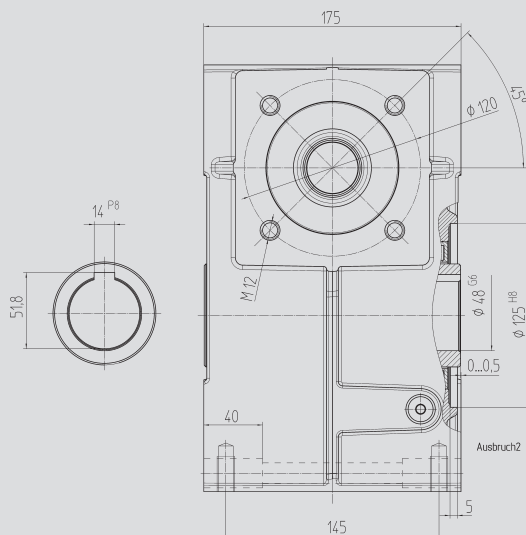
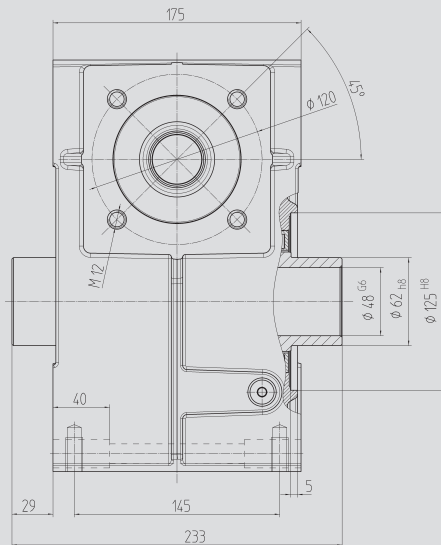


Fig. 2 Output shaft for clamp connection 80 86 062

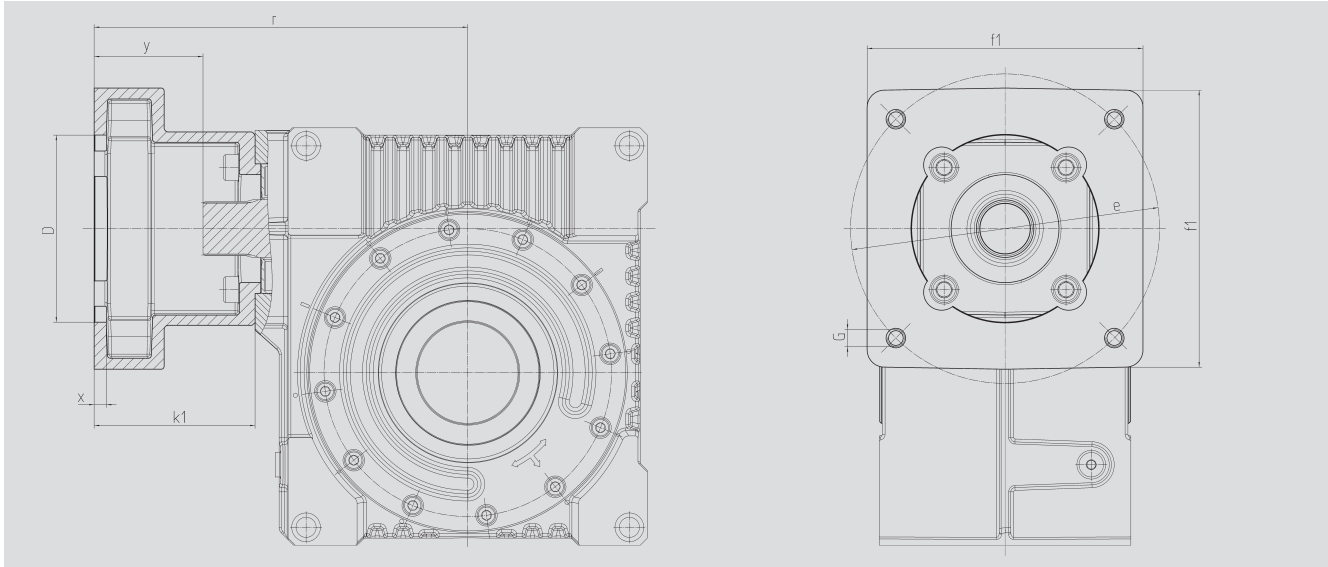


Order Code Fig. 1	Fig. 2	Ratio i	kg	$J_{red} \cdot 10^{-4}$ kg m ²
58 06 005	58 16 005	4.75	37	22.9320
58 06 007	58 16 007	6.75	37	12.8835
58 06 009	58 16 009	9.25	37	8.0975
58 06 015	58 16 015	14.50	37	7.2190
58 06 020	58 16 020	19.50	37	5.4030
58 06 029	58 16 029	29.00	37	4.7207
58 06 039	58 16 039	39.00	37	8.4300
58 06 052	58 16 052	52.00	37	9.7400

With food grade oil, order code 58 06 1xx / 58 16 1xx



Motor Flange



Center Distance

$a_o = 100\text{ mm}$

Order Code	D ^{G7}	k ₁	r	x	y	f ₁	e	G	
65 59 501	110.0	92.0	240.0	8.0	55.0	140	165	M10	2.00
65 59 502	130.0	92.0	240.0	8.0	55.0	140	165	M10	1.90
65 59 503	180.0	122.0	270.0	8.0	85.0	192	215	M12	3.40
65 59 504	180.0	127.0	275.0	8.0	90.0	192	215	M12	3.80
65 59 505	180.0	112.0	260.0	10.0	75.0	192	215	M12	2.70
65 59 506	130.0	112.0	260.0	10.0	75.0	192	215	M12	3.00
65 59 507	130.0	112.0	260.0	10.0	75.0	140	165	M10	2.50
65 59 508	110.0	90.0	238.0	8.0	53.0	140	145	M8	2.00
65 59 509	110.0	108.5	256.5	8.0	71.5	140	145	M8	2.50
65 59 510	114.3	129.5	277.5	8.0	92.5	180	200	M12	5.00
65 59 511	114.3	163.5	311.5	8.0	126.5	180	200	M12	4.20
65 59 512	114.3	105.5	253.5	8.0	68.5	180	200	M12	3.50
65 59 513	110.0	113.5	261.5	8.0	76.5	140	145	M8	2.70

The order should contain gear box 58 06 0xx / 58 16 0xx and flange 65 59 5xx.