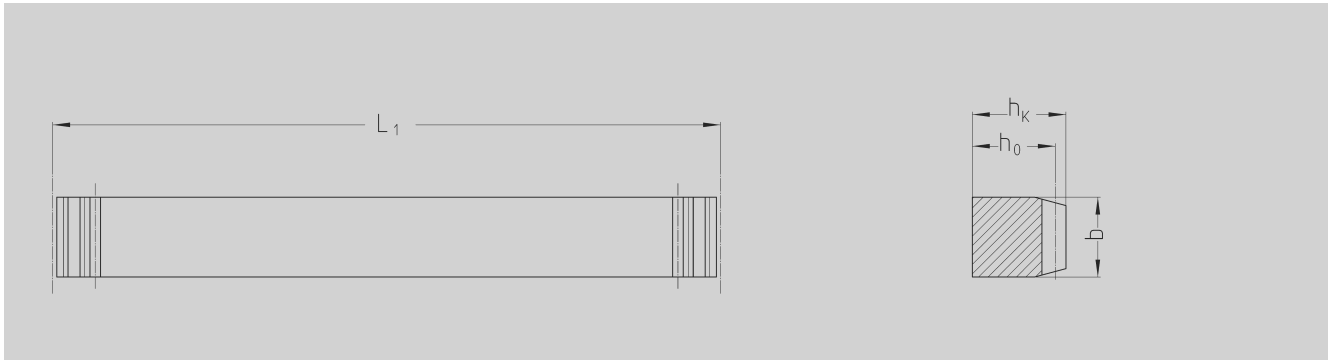


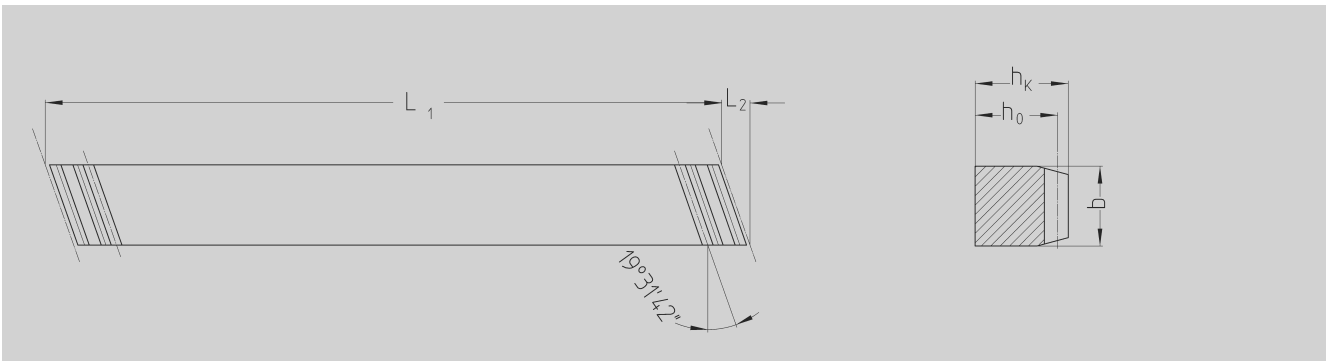


Companion Racks for Straight Tooth System



Order Code	Module	L ₁	L ₂	N° of Teeth	b	h _k	h _o	kg
28 15 999	1.5	141.37	-	30	17	17	15.5	0.29
28 20 999	2	188.49	-	30	25	24	22.0	0.82
28 30 999	3	188.49	-	20	30	29	26.0	1.15
28 40 999	4	188.49	-	15	40	39	35.0	2.07
28 50 999	5	251.32	-	16	49	39	34.0	3.25
28 60 999	6	245.04	-	13	59	49	43.0	4.83
28 80 999	8	251.32	-	10	79	79	71.0	11.08
28 10 999	10	219.91	-	7	79	79	69.0	10.67
28 12 999	12	263.90	-	7	99	87	89.0	18.10

Companion Racks for Helical Tooth System



Order Code	Module	L ₁	L ₂	N° of Teeth	b	h _k	h _o	kg
29 15 999	1.5	155.60	5.34	30	16	17	15.5	0.31
29 20 999	2	200.00	8.50	30	24	24	22.0	0.85
29 30 999	3	200.00	10.30	20	29	29	26.0	1.20
29 40 999	4	200.00	13.80	15	39	39	35.0	2.70
29 50 999	5	200.00	17.40	12	49	39	34.0	3.00
29 60 999	6	200.00	20.90	10	59	49	43.0	4.40
29 80 999	8	213.33	28.00	8	79	79	71.0	9.50
29 10 999	10	233.30	28.02	7	79	79	69.0	9.92
29 12 999	12	280.00	35.11	7	99	99	87.0	19.20



- Teeth induction-hardened and ground
- Material C45.

Companion racks left-hand for right-hand racks.