

# APM series Aluminum premium motors

Motori elettrici in alluminio

Section 1  
Sezione 1

## Clean shape aluminum electric motor to reduce dust accumulation, ideal where hot water wash down is used (without aggressive detergents).

*Motore elettrico in alluminio dalla forma pulita la soluzione più economica per evitare l'accumulo di polvere, ideale dove è usata acqua calda per lavaggi*



**Standard** terminal box with cable gland in **radial** position



















**On request** direct cable with cable gland in **axial** position

For the complete documentations please visit our website: [www.cleangeartech.com](http://www.cleangeartech.com)

Per la documentazione completa si prega di visitare il nostro sito web: [www.cleangeartech.com](http://www.cleangeartech.com)

# How to order Codifica

APM	W	HA	4	W	TE	N	A
Series <i>Serie</i>	Size <i>Taglia</i>	Power <i>Potenza</i>	Poles <i>Poli</i>	Mounting <i>Montaggio</i>	Tension <i>Tensione</i>	Cooling <i>Raffreddamento</i>	Coating <i>Rivestimento</i>
APM	W → 56C X → 143/5TC	HA → 1/3	2 4 6	W → C Face 	<b>Three-phase</b> <i>Trifase</i>	N TENV (Non ventilato)	N Standard 
		HB → 1/2			TU 230/460V 60 Hz		
		HC → 3/4			TC 332/575V 60 Hz		
		HD → 1			<b>On request</b> <i>A richiesta</i>		
		HE → 1 1/2			TE 230/400V 50 Hz		
HF → 2	TD 220/380V 60 Hz	V Painted RAL 7035 <i>Verniciato RAL7035</i> 					
HG → 3	See our website for technical data <i>Vedere il nostro sito web per la documentazione tecnica</i>						

4	K	-	A	6	SA	-	--
Efficiency <i>Efficienza</i>	Protection <i>Protezione</i>	Terminal box <i>Morsettiera</i>	Cable gland position <i>Posizione pressacavo</i>	Cable gland type <i>Tipo di pressacavo</i>	Cable <i>cavo</i>	Thermal protection <i>Protezione termica</i>	Humid rooms options <i>Opzioni ambienti umidi</i>
4 IE4 Super Premium efficiency	K IP69k	<b>C</b> Terminal block 3 + splicing connector 3w <i>Morsettiera 3 + morsetto 3 cavi</i> 	<b>A</b> Axial position <i>Posizione assiale</i> Without the terminal box <i>Senza morsettiera</i> 	<b>N</b> Without cable gland <i>Senza pressacavo</i> 	<b>-N</b> Senza cavo <i>Senza cavo</i> 	- Standard PTO only with terminal box. <i>PTO Standard solo con morsettiera.</i>	-- Standard -S Pre-heater <i>Scaldiglia</i> 
		- Without terminal box <i>Senza Morsettiera</i> 	With the terminal box <i>Con morsettiera</i> 	<b>2</b> Plastic cable gland <i>Pressacavo in plastica</i> 	<b>SA</b> 2.5 m cable supplied with Y connection <i>Cavo 2.5 m collegamento a stella</i> 		
		Always supplied with cable <i>Sempre fornito con cavo</i>	<b>R</b> Radial position <i>Posizione radiale</i> 	<b>6</b> Plastic cable gland with Anti-condensation valve <i>Pressacavo in plastica con valvola anticondensa</i> 	<b>TA</b> 2.5 m cable supplied with $\Delta$ connection <i>Cavo 2.5 m collegamento a <math>\Delta</math></i> 		
					<b>SB</b> 5 m cable supplied with Y connection <i>Cavo 5 m collegamento a stella</i> 		
					<b>TB</b> 5 m cable supplied with $\Delta$ connection <i>Cavo 5 m collegamento a <math>\Delta</math></i>		

# 4 Poles

Technical data

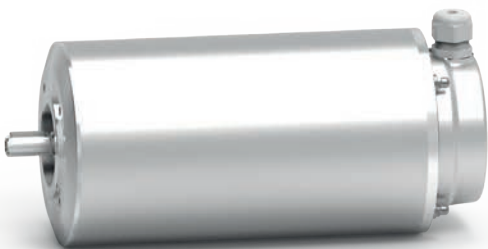
## APM series Aluminum premium motors

Motori elettrici in alluminio

S1 service, F insulation class			Operating characteristics at rated power							Direct starting			Weight	R [Ω] 68°F	Enclosure	
Power	Motor code	Frame	Rated current	S.F Current	Speed	Nominal torque	Efficien. % load	Service Factor	PF	Torque	Current	Inertia moment				
HP			A 460/575V	A	rpm	lb ft	100%	SF	cos φ	Ms/Mn	Is/In	lb ft^2	lb			
230/460V 60Hz rpm 1800	1/3	<b>APM WHA4W TUN</b>	56C	0.68	0.80	1748	1.02	80.1	1.15	0.59	3.9	7.4	0.0049	38.2	7.3	TENV
	1/2	<b>APM WHB4W TUN</b>	56C	0.92	1.05	1742	1.51	82.1	1.15	0.65	4.3	7.6	0.0058	43.2	6.2	
	3/4	<b>APM WHC4W TUN</b>	56C	1.25	1.35	1750	2.26	83.6	1.15	0.73	5.0	8.4	0.0073	52.0	3.8	
	1	<b>APM WHD4W TUN</b>	56C	1.65	1.90	1765	3.05	85.1	1.15	0.70	5.8	8.7	0.0083	58.6	2.7	
		<b>APM XHD4W TUN</b>	143TC													
	1 1/2	<b>APM WHE4W TUN</b>	56C	2.30	2.50	1780	4.42	87.2	1.15	0.76	5.0	8.8	0.0095	65.0	2.0	
<b>APM XHE4W TUN</b>		145TC														
2	<b>APM WHF4W TUN</b>	56C	2.96	3.20	1785	6.02	87.6	1.15	0.81	5.1	10.0	0.0107	71.9	1.6		
	<b>APM XHF4W TUN</b>	145TC														

Nominal values with ±10% tolerance on Voltage Valori nominali con ±10% di tolleranza nel voltaggio

Technical data and performances may change Dati tecnici e prestazioni possono subire variazioni



**TENV**

Totally Enclosed non ventilated

Totalmente chiuso, non ventilato

# APM series Aluminum premium motors

Motori elettrici in alluminio

# 4 Poles

Technical data

S1 service, F insulation class			Operating characteristics at rated power							Direct starting					Enclosure	
Power	Motor code	Frame	Rated current	S.F Current	Speed	Nominal torque	Efficien. % load	Service Factor	PF	Torque	Current	Inertia moment	Weight	R [Ω] 68°F		
HP			A 460/575V	A	rpm	lb ft	100%	SF	cos φ	Ms/Mn	Is/In	lb ft^2	lb			
575V 60Hz rpm 1800	1/3	APM WHA4W TCN	56C	0.46	0.56	1748	1.02	80.1	1.15	0.70	3.9	7.4	0.0049	38.2	26.8	TENV
	1/2	APM WHB4W TCN	56C	0.70	0.85	1742	1.51	82.0	1.15	0.65	4.3	7.6	0.0058	43.2	18.6	
	3/4	APM WHC4W TCN	56C	1.00	1.21	1752	2.26	83.4	1.15	0.66	5.0	8.4	0.0073	52.0	12.4	
	1	APM WHD4W TCN	56C	1.30	1.57	1762	3.05	85.1	1.15	0.68	5.8	8.7	0.0083	58.6	10.3	
		APM XHD4W TCN	143TC													
	1 1/2	APM WHE4W TCN	56C	1.85	2.24	1785	4.42	87.2	1.15	0.68	5.0	8.8	0.0095	65.0	3.1	
		APM XHE4W TCN	145TC													
2	APM WHF4W TCN	56C	2.50	2.95	1785	6.02	87.4	1.15	0.68	5.1	10.0	0.0107	71.9	2.4		
	APM XHF4W TCN	145TC														

Nominal values with ±10% tolerance on Voltage Valori nominali con ±10% di tolleranza nel voltaggio

Technical data and performances may change Dati tecnici e prestazioni possono subire variazioni

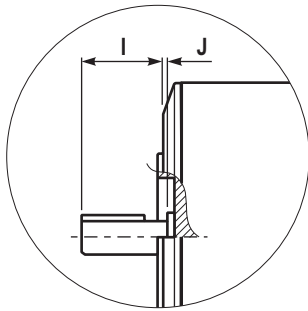
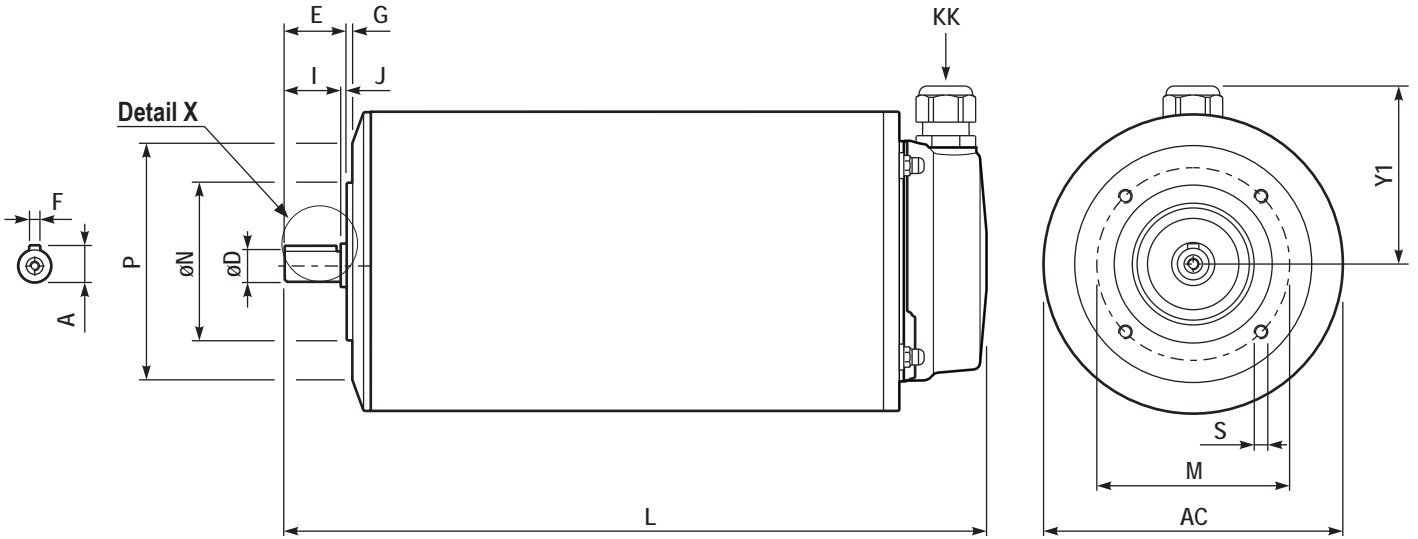


**TENV** Totally Enclosed non ventilated  
Totamente chiuso, non ventilato

**TENV** Totally Enclosed non ventilated, with terminal box. **HP 1/3 ÷ 2**  
 Totalmente chiuso non ventilato, con morsettiere.

**Standard** terminal box with cable gland in **radial** position

Standard morsettiere con pressacavo in posizione radiale.



**Detail X**  
Only for 143/5TC

### Dimensions

Dimensioni

Motor	4 poles HP	A	$\varnothing D$	E	G	I	J	F	L	M	$\varnothing N$	P	S	AC	KK	Y1
56C	1/3															
	1/2								13.25							
	3/4	0.702	0.625	1.933	0.126	1.874	0.06									
	1															
	1 1/2 2							0.187	15.42	5.874	4.5	6.5	3/8-16 UNC x 0.67	7.13	M20 x 1.5	3.82
143TC	1															
145TC	1 1/2	0.925	0.875	1.992	0.126	2.248	0.26		15.48							
	2															

# APM series Aluminum premium motors

Motori elettrici in alluminio

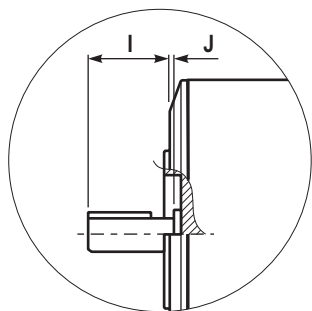
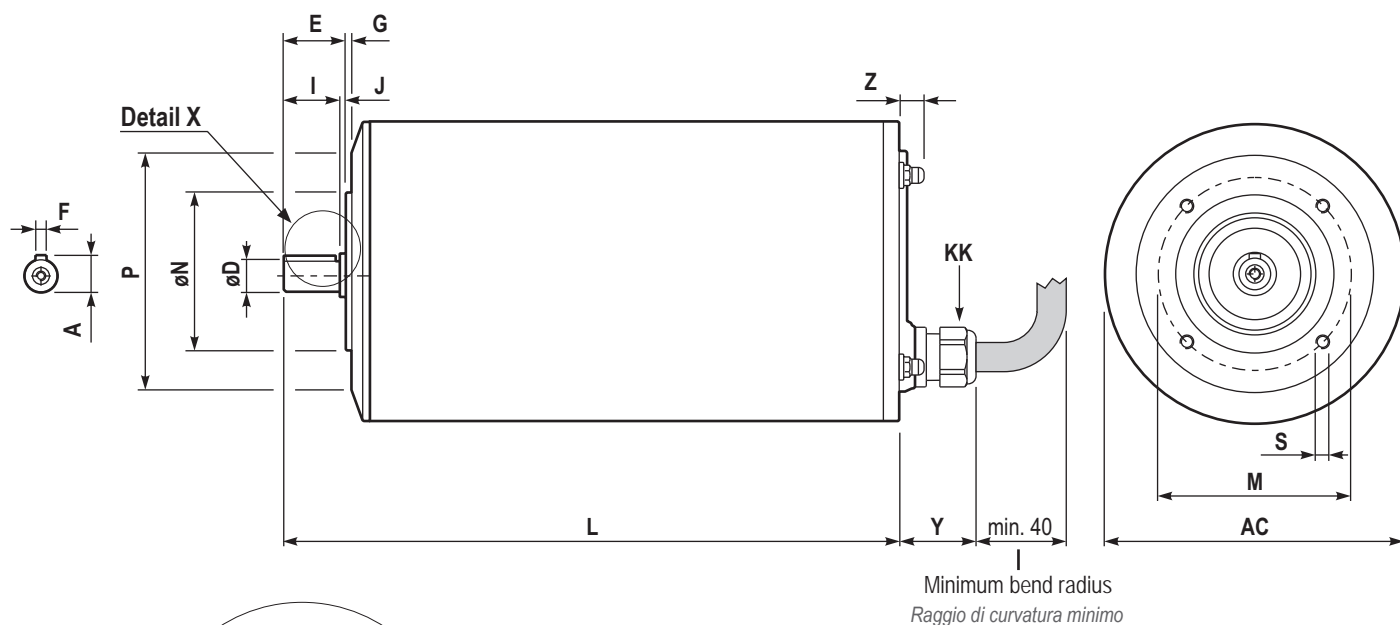
# C-Face

Dimensions

**TENV** Totally Enclosed non ventilated, with direct cable. **HP 1/3 ÷ 2**  
 Totalmente chiuso non ventilato, con cavo diretto.

**On request** direct cable with cable gland in **axial** position

A richiesta cavo diretto con pressacavo in posizione assiale



**Detail X**  
Only for 143/5TC

## Dimensions

Dimensioni

Motor	4 poles HP	A	øD	E	G	I	J	F	L	M	øN	P	S	AC	KK	Y	Z
56C	1/3																
	1/2								11.74								
	3/4																
	1	0.702	0.625	1.933	0.126	1.874	0.06										
	1 1/2 2							0.187	13.90	5.874	4.5	6.5	3/8-16 UNC x 0.67	7.18	M20 x 1.5	1.38	0.43
143TC	1																
145TC	1 1/2	0.925	0.875	1.992	0.126	2.248	0.26		13.96								
	2																